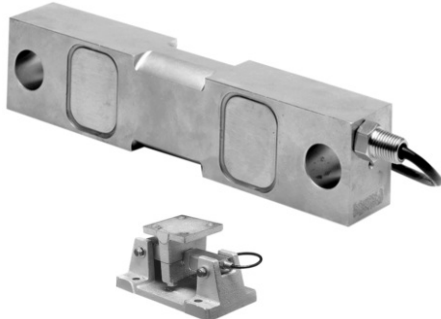


Double-Ended Shear Beam Load Cell



65016-TWA



DESCRIPTION

The double-ended mounting provides good restraint to possible movement of the tanks and, in many cases, eliminates the need for check rods. The double Shear Beam design gives excellent performance for high capacity loading.

The output is rationalized to facilitate multiple-cell application.

This load cell is constructed of alloy tool steel and is potted to IP67 providing excellent protection against moisture and humidity.

FEATURES

- Rated capacities of 1000 to 125,000 pounds
- Insensitive to side loads and bending moments
- High output - well suited to high deadload/low liveload applications
- Load cells have matched outputs for multi-cell systems
- Excellent combined error and repeatability
- Integral conduit adaptor
- *Sensorgage™* sealed to IP67 standards
- Factory Mutual System Approved for Classes I, II, III; Divisions 1 and 2; Groups A through G. Also, non-incendive ratings (No barriers!).

OPTIONAL FEATURE

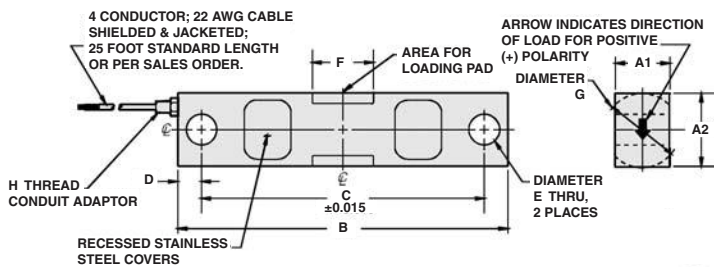
- Weighing assemblies available - 65016 TWA

APPLICATIONS

- Tank, bin and silo weighing
- Batching, blending and mixing systems
- Level and inventory monitoring

OUTLINE DIMENSIONS in millimeters

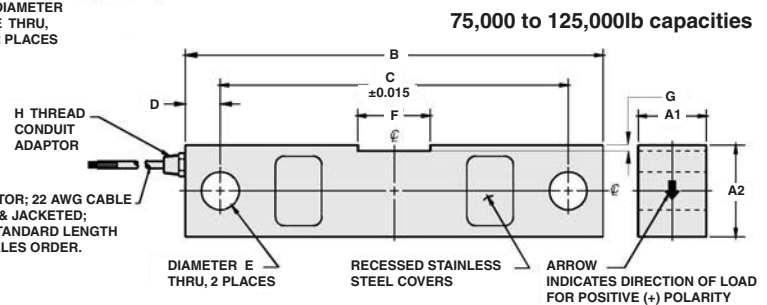
1000 to 50,000lb capacities



Wiring

+ Excitation	Red
- Excitation	Black
+ Output	Green
- Output	White

4 CONDUCTOR; 22 AWG CABLE SHIELDED & JACKETED; 25 FOOT STANDARD LENGTH OR PER SALES ORDER.



CAPACITY	A1	A2	B	C	D	E	F	G	H
1K - 5K	1.25	1.25	7.50	6.25	0.62	0.50	1.22	1.25	1/4-18NPT
10K - 25K	1.44	1.94	8.75	7.50	0.62	0.81	1.62	1.99	1/4-18NPT
35K	1.50	2.50	8.75	7.50	0.62	0.81	1.62	2.50	1/4-18NPT
50K	2.44	2.94	13.50	11.50	1.00	1.31	3.25	2.99	1/2-14NPT
75K	2.44	2.94	13.50	11.50	1.00	1.31	3.12	0.18	1/2-14NPT
100K - 125K	2.94	3.94	18.50	15.00	1.75	1.63	3.25	0.25	1/2-14NPT

SPECIFICATIONS		
PARAMETER	VALUE	UNIT
Rated capacity-R.C. (E_{max})	1K, 1.5K, 2.5K, 5K, 10K, 15K, 25K, 35K, 50K, 75K, 100K, 125K	lbs
NTEP/OIML Accuracy class	Standard	
Maximum no. of intervals (n)	--	
Rated output-R.O.	3.0	mV/V
Rated output tolerance	0.25	±% mV/V
Zero balance	1.0	±% FSO
Combined error	0.03	±% FSO
Non-repeatability	0.01	±% FSO
Creep error (20 minutes)	0.03	±% FSO
Temperature effect on zero	0.0015	±% FSO/°F
Temperature effect on output	0.0008	±% of load/°F
Compensated temperature range	14 to 104 (-10 to 40)	°F (°C)
Operating temperature range	0 to 150 (-18 to 65)	°F (°C)
Storage temperature range	-60 to 185 (-50 to 85)	°F (°C)
Sideload rejection ratio	500:1	
Safe sideload	100	% of R.C.
Maximum safe central overload	150	% of R.C.
Ultimate central overload	300	% of R.C.
Excitation, recommended	15	Vdc or Vac rms
Excitation, maximum	25	Vdc or Vac rms
Input impedance	700±14	Ω
Output impedance	703±4	Ω
Insulation resistance at 50VDC	>1000	MΩ
Material	Nickel plated alloy tool steel	
Environmental protection	IP67	

Note

FSO - Full Scale Output

All Specifications subject to change without notice.